

**Warewashing
 green&clean dual rinse rack type
 dishwasher, 150 racks/hour, electric,
 50Hz (Marine)**

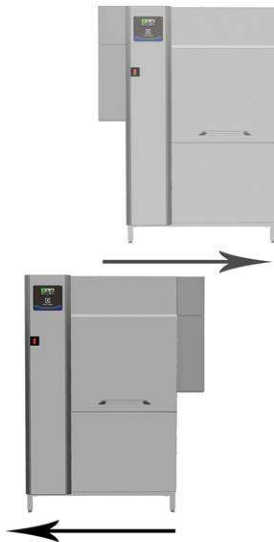
ITEM # _____

MODEL # _____

NAME # _____

SIS # _____

AIA # _____


535126 (EDR150EC5M)

 Dual rinse rack type
 dishwasher, 150 racks/hour,
 CLEAR BLUE Filtering
 System, electric, touch
 screen, customized direction
 on-site, USPH compliant,
 50Hz - Marine

Short Form Specification

Item No. _____

Unit to be green&clean dual rinse rack type dishwasher. Dual rinse with built-in stabilized pressure valve ensures the right rinsing pressure for optimum hygiene results. Maximum Water Contact (MWC) wash arms are positioned along the full length of the wash tank. Powerful wash pump and specially designed wash spray arms guarantee cleaning. Washing is done with water circulating at 55-65°C. Final rinsing is done with clean water heated up to 85°C. Dual rinse technology provides rinse water covering maximum the rinse area to ensure hygiene on washed wares. Low rinse water consumption of 1.2liters per rack at maximum speed of 150racks/hour. Three conveyor speeds are selectable by the operator with maximum capacity of 150racks/hour. Intuitive touch screen control panel provides easy communication on different levels. Large counter-balance door has heat and noise insulation with easy internal access. CLEAR BLUE filtering system removes majority of soil from the wash water to ensure clean water for long time. Built-in drain valve in the tank allows automatic dump and fill to refresh the water in the tank without interruption. Standard end of the day self cleaning cycle and sanitation cycle. Operating direction of the machine is decided by customer on-site depending on the layout flow with pre-arranged right to left from the factory.

Main Features

- Automatic drain, clean and sanitize cycles featured as standard. The internal chamber, is completely cleaned or sanitized avoiding bacteria proliferation for maximum hygiene and reducing manual work/time for operator.
- Dual rinse technology ensures maximum rinse water covering every corner of the rack inside the rinse area for perfect hygiene on washed wares.
- Three conveyor speeds can be selected through the control panel by the operator and customized on-site.
- The unit is ready to be connected with OnE Connectivity for 24/7 real time monitoring, increasing equipment uptime, maximum profit and optimizing your process.
- Large counter balanced inspection door allow unrestricted all-round access to the wash and rinse area. Door is insulated with injected foam. This adds strength as well as reduces noise and heat loss.
- Unit equipped with USB port making it simple to read data such as machine identification, counters and consumption, components, devices and alarm logs. Machine parameters can be uploaded and downloaded and firmware updated.
- Adjustable feet for full access underneath the machine for cleaning.
- All internal components: wash and rinse arms, tank filters, curtains can be easily removed for cleaning.
- Intuitive touch screen control panel features user-friendly display to easily operate the machine and to monitor machine status. Three different levels of interaction are available each show relevant messages and information to the operator, the general maintenance staff and the authorized service partners.
- CLEAR BLUE filtering system removes soil from the wash water providing cleaner water and highly active detergent thus ensuring better washing performance and lower running costs.
- Built-in drain valve in the tanks allows automatic dump and fill to refresh the water in the tank without any interruption of the washing process.
- IP25 protection against water jets, solid objects and small animals (larger than 6 mm).
- Maximum capacity per hour of 150 racks easy to switch to DIN 10510 compliant or other speed.
- USPH performance compliant.

Construction

- Deep drawn pressed wash tank with fully rounded corners, sloped towards the drain to prevent dirt buildup, provides fast drainage in just a few minutes. With no welding points the pressed tank offers a guaranteed water tight solution.
- Modularity design allows the machine not only be disassembled for delivery and re-assembled at customer's site, but also to be customized and upgraded on-site and over time.
- Dishwasher structure is held together with a solid 50 x 50 mm stainless steel frame to provide long-term sturdiness.

APPROVAL: _____

- All electric components are put in one IP65 central box isolated from water and steam to ensure high reliability.
- External pre-arrangement for inlet water, drain water, detergent & rinse aid connections for fast and easy installation on both sides of the unit.
- All main components made in heavy duty anti-corrosive 304 type stainless steel: external front, side panels and internal chambers, wash and rinse arms, doors and rack transportation system.
- The feeding direction is right to left as pre-arrangement from the factory, but it can be simply reversed on-site to left to right.
- The unit is built on modularity concept for easy to add pre-wash and dryer modules on-site.
- The unit is designed for marine application as components is easily accessible from front for service and maintenance without removing the machine.
- <p>The machine runs at DIN 10510 compliant speed.</p>
- <p>Reference norm used to measure the noise: IEC60335-2-58 annex AA.</p>

Sustainability



- Self-draining vertical wash pumps provide maximum hygiene.
- Automatic back-up mode is activated when a failure occurs. Guided troubleshooting for fast fixes including 150 precises notifications and 23 easy-to-follow processes.
- Dual rinse with stabilized pressure valve guarantees rinse water consumption of 1.2 liters/ rack regardless of inlet water pressure to ensure low energy, water, detergent and rinse aid consumption.
- All chambers without internal pipes and therefore no hidden dirt traps.
- Built-in stabilized pressure valve ensures constant pressure throughout the rinsing cycle regardless of inlet water pressure.
- Auto-start/stop equipped in different zones ensures that the zone runs only when a rack is passing through it. This reduces water, energy, chemical consumption and noise.

Included Accessories

- 1 of Splash hood kit for single and dual PNC 865498
 rinse Rack Type Dishwasher, 200 mm
- 1 of IoT module for OnE Connected PNC 922421
 (Combi Ovens, Blast chiller/freezers,
 Rack Type DW) and SkyDuo (one IoT
 board per appliance - to connect
 oven to blast chiller for Cook&Chill
 process).

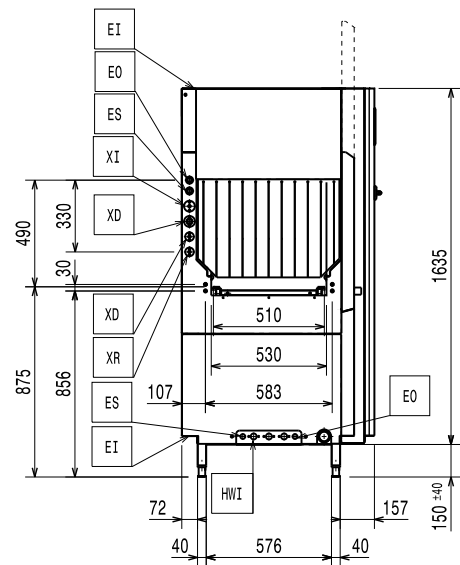
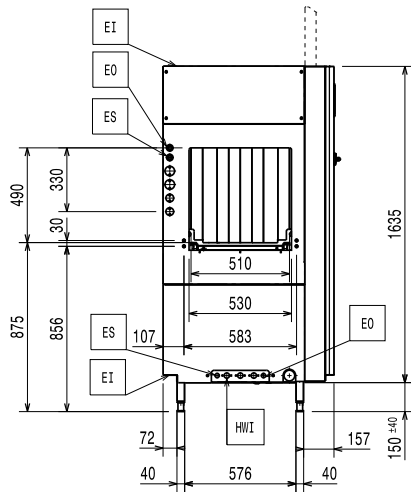
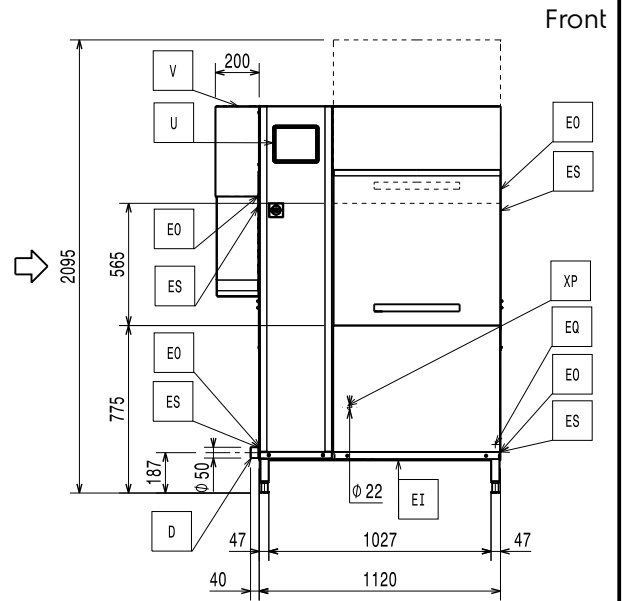
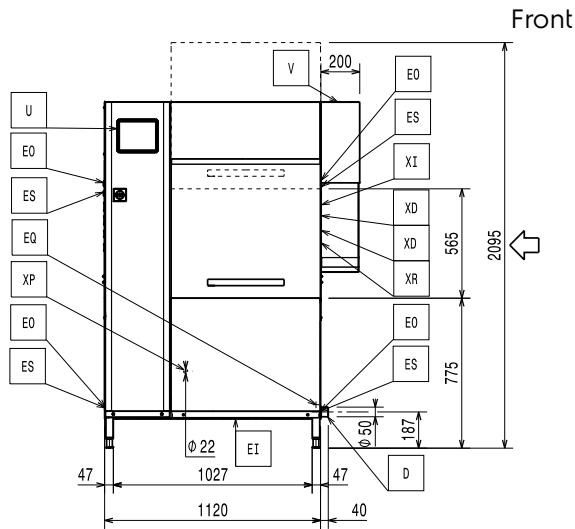
Optional Accessories

- Medium pre-wash zone for PNC 535130
 green&clean Dual Rinse Rack Type
 Dishwasher, 50Hz - Marine
- Medium hot air blower zone without PNC 535135
 door for Dual Rinse Rack Type
 dishwasher, 50Hz - Marine
- Large drying zone with door for PNC 535136
 green&clean Dual Rinse Rack Type
 Dishwasher, 50Hz - Marine
- Emergency stop kit for Rack Type PNC 865162
 Dishwasher (not for Basic handling
 system)
- End limit switch for short roller PNC 865218
 conveyor
- End limit switch for long roller PNC 865256
 conveyor (kit with two short rollers and
 end switch)
- Kit water meter PNC 865286
- Splash hood kit for single and dual PNC 865498
 rinse Rack Type Dishwasher, 200 mm
- Silicon curtains for single and dual PNC 865503
 rinse Rack Type dishwasher
- Kit electronic board for Dual Rinse PNC 865506
 Rack Type Dishwasher
- Kit delime & door cleaning for dual for PNC 865507
 Rinse Rack Rack Type Dishwasher
- Kit electronic connection for PNC 865508
 motorized table and remote pre wash
 module for Dual Rinse Rack Type
 Dishwasher
- Pipe extension kit for additional 22 PNC 865509
 " pre-wash module on Dual Rinse
 Rack Type Dishwasher with ESD
- Kit ESD for Dual Rinse Rack Type PNC 865510
 Dishwasher (Marine)
- Set of 6 baskets: 2 for trays, 2 for PNC 867050
 plates, 1 for cutlery and 1 for cups
- Set of 9 baskets: 2 for trays, 3 for PNC 867051
 plates, 2 for cutlery and 2 for cups



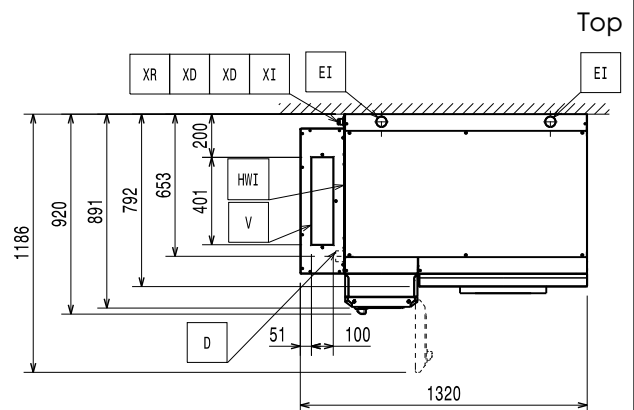
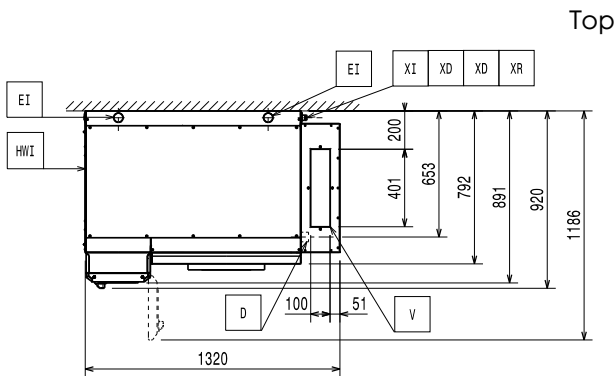
Electrolux
PROFESSIONAL

Warewashing
green&clean dual rinse rack type dishwasher,
150 racks/hour, electric, 50Hz (Marine)



- D = Drain
- EI = Electrical inlet (power)
- EO = Electrical Outlet
- EQ = Equipotential screw
- ES = Electrical signal IN/OUT
- HWI = Hot water inlet
- U = USB port

- D = Drain
- EI = Electrical inlet (power)
- EO = Electrical Outlet
- EQ = Equipotential screw
- ES = Electrical signal IN/OUT
- HWI = Hot water inlet
- U = USB port





Electric

When the machine is run at DIN 10510 compliant speed.

Supply voltage:	400 V/3 ph/50 Hz
Default Installed Power:	42 kW
Boiler heating elements:	20 kW
Electrical power, min:	22 kW
Wash pump size:	1,2 kW
Wash tank heating elements:	20 kW

Water:

When below 7°FH/4°dH special detergent and rinse aid are needed.

Peak rate of drain flow:	2.5 l/s
Wash tank size:	70 l
Inlet hot water line size:	G 3/4"
Drain line size:	50mm
Inlet water supply pressure:	1.5-6 bar
Inlet water supply temperature (wash and rinse):	50 - 65°C
Inlet water supply hardness:	14 °fH / 8°dH
Rinse water consumption:	180 l/h

Key Information:

For transportation purpose only, the depth can be reduced to either 895mm by removing the main switch button or 797mm by removing the control box and the door handle.

Reference norm used to measure the noise:
IEC60335-2-58 annex AA.

Table to table distance:	1120 mm
Height with door open:	2095 mm
Charging hole size (width):	530 mm
Productivity per hour (max. speed):	150 racks/2700dishes
Productivity per hour (medium speed):	114 racks/2052 dishes
External dimensions, Width:	1320 mm
External dimensions, Depth:	925 mm
External dimensions, Height:	1785 mm
Productivity per hour (DIN compliant speed):	82 racks/1476 dishes
Charging hole size (height):	490 mm
Wash Temperature:	71 - 76 °C
Shipping height:	1950 mm
Shipping width:	1010 mm
Shipping depth:	1260 mm
Shipping volume:	2.48 m ³
Final rinse temperature:	86 °C

Air Emission:

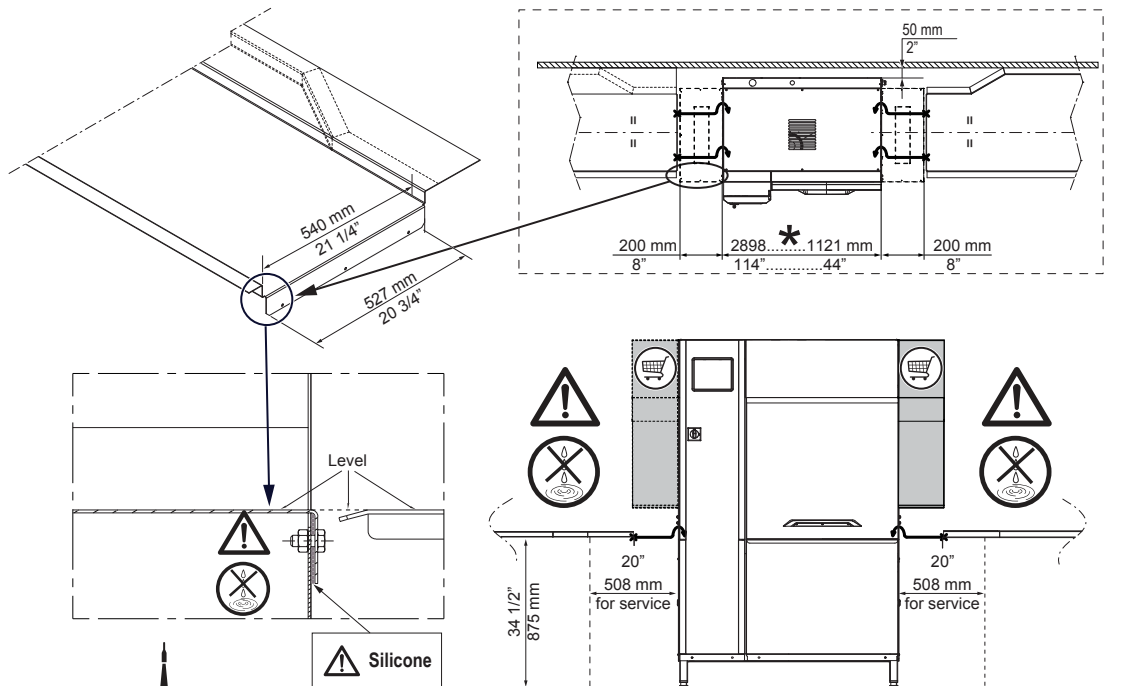
Air temperature:	
535126 (EDR150EC5M)	45 °C
Air humidity (entrance, exit):	
535126 (EDR150EC5M)	100 / 100 % r.h.
Latent heat:	9100 W
Sensible heat:	3400 W
Air flow (entrance, exit):	107 / 107 m ³ /h

This model requires a ventilation hood. Please refer to the attached "Recommended Exhaust Hood Design".

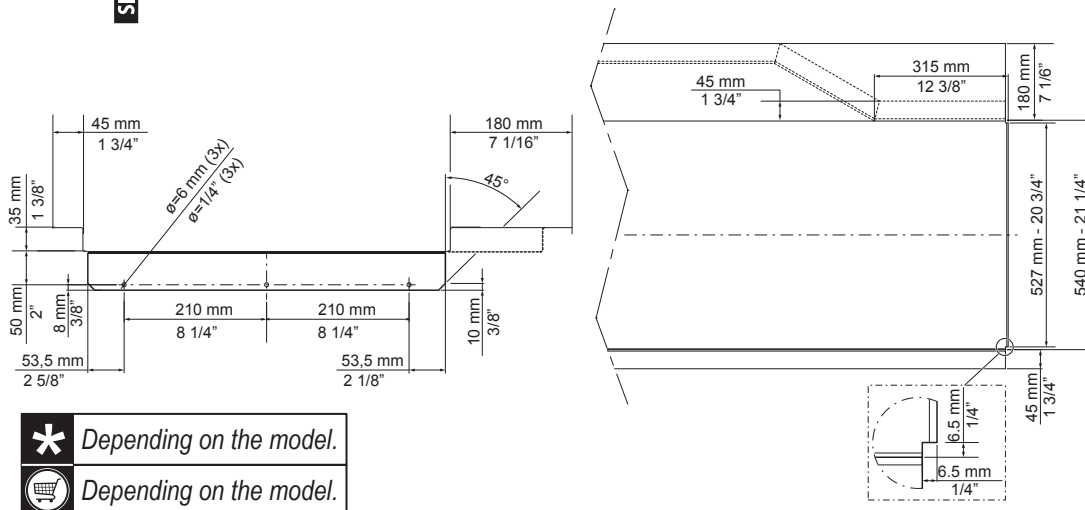
Sustainability

Noise level:	<62 dBA
---------------------	---------

RECOMMENDED TABLE CONNECTION



SILICONE ⚠️ Apply silicone between the machine and the table and make sure that there are not any water leakages. Reference code 059611 for recommended silicone by Electrolux.



All tables must be connected to the dishwashing units according to local regulations and industry standards which may differ from the recommendations herein suggested. Electrolux Professional is not liable for any failure in complying with local design standards.

DOC. NO. 59566QD00
EDITION 01.2020